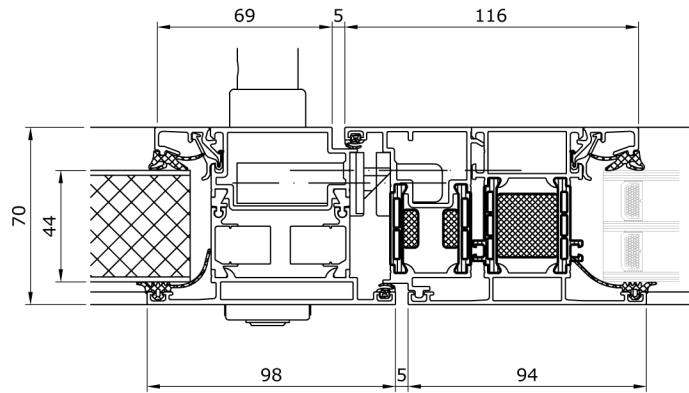
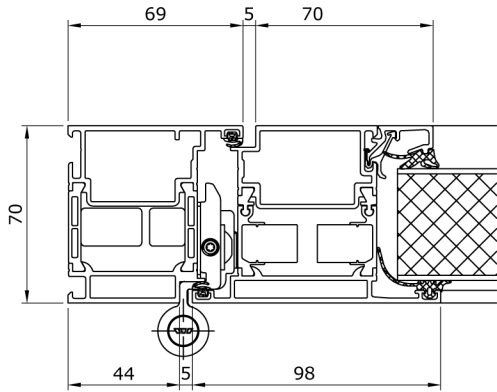
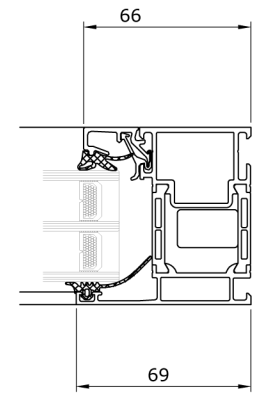


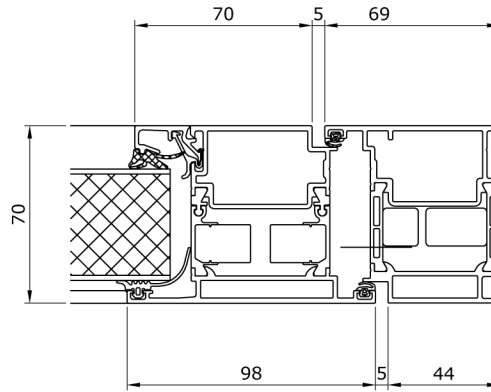
INT



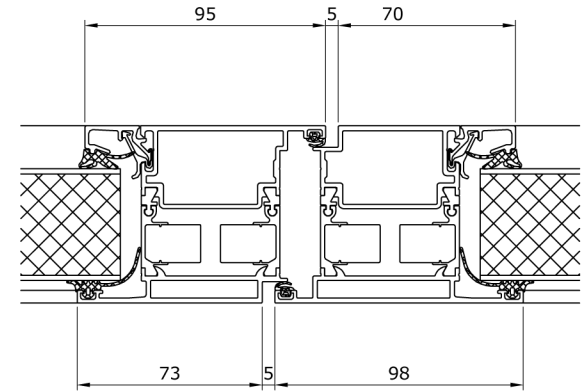
EXT



INT



EXT



**DOUBLE HAUS DOOR  
MEETING STILE**

SCALE 1:2 @ A3

Title:	<b>ALUMINIUM HAUS DOOR OUTWARD OPENING - PLAN VIEW</b>	
	Revision Date:	
	Revision:	
	Drg No:	<b>DM-020-0603</b>

Revision Date:	
Revision:	
Drg No:	<b>DM-020-0603</b>

**HAUSMANN**  
Quality Aluminium Products  
sales@hausmann.ie  
www.hausmann.ie