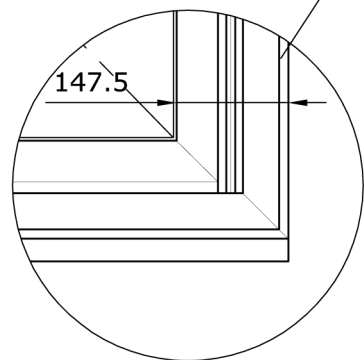
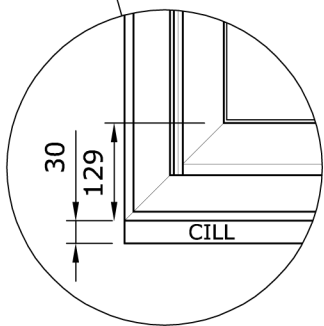


EXTERNAL VIEW



SCALE 1:20

Title: ALUMINIUM FOLDING DOOR, 3 PANEL FOLDING LEFT, INTERNALLY (DM3L)	Revision Date:
	Revision:
	Drg No:
	DM-020/0240

HAUSMANN

Quality Aluminium Products
 sales@hausmann.ie
 www.hausmann.ie

This drawing is copyright ©. No part shall be copied or otherwise reproduced without prior written permission of the company.